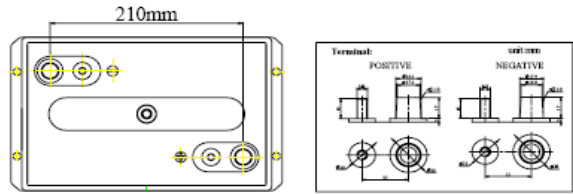
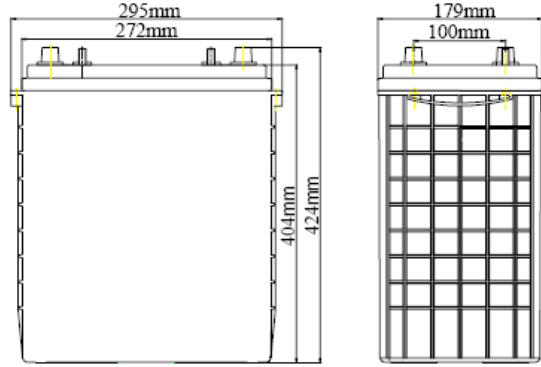


# NPD63800 6V380AH



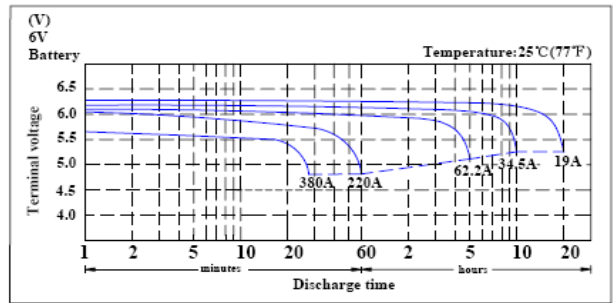
## Specifications

Nominal Voltage		6V
Rated Capacity (20 hour rate)		380AH
Dimension	Total Height (with terminals)	424mm(16.69inches)
	Height	404mm(15.90inches)
	Length	295mm(11.61inches)
	Width	179mm(7.04inches)
Weight		Approx. 56.0 kg ( 123.2 lbs)

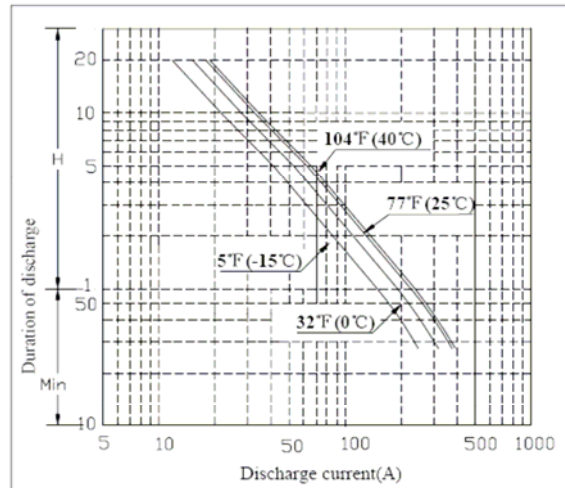
## Characteristics

Capacity 77°F (25°C)	20 hour rate (19A to 5.25Volts)	380AH
	10 hour rate (34.2A to 5.25Volts)	342AH
	5 hour rate (62.2A to 5.1Volts)	311AH
Internal Resistance	Full charged 77°F (25°C)	1.6mΩ
Capacity affected by Temperature (20 hour rate)	104°F (40°C)	102%
	77°F (25°C)	100%
	32°F (0°C)	85%
	5°F (-15°C)	65%
Self-Discharge 77°F (25°C)	Capacity after 3 month storage	91%
	Capacity after 6 month storage	82%
	Capacity after 12 month storage	64%
Standard Terminal	DT	
Max. Discharge Current 77°F (25°C)	2000A (5s)	
Reserve Capacity (Minutes to 10.5V at 80°F (27°C))	@ 25Amps	810Min
	@ 75Amps	210Min
Charging (Constant Voltage)	Cycle	Initial Charging Current 76A Or Small 7.25V~7.45V/77°F (25°C)
	Float	6.8V~6.9V/77°F (25°C)

## Discharge characteristics 77°F (25°C)



## Duration of discharge vs. Discharge current



## Constant Current Discharge Rating Amperes @ 77 °F (25°C)

Cut off voltage V/cell	30M	45M	1H	2H	3H	5H	8H	10H	12H	20H	24H
1.75V	354	261	212.0	113.0	86.0	60.3	41.3	34.20	29.13	19.00	15.90

Newton Power

Deep Cycle Batteries

This information is generally descriptive only and is not intended to make or imply any representation, guarantee or warranty with respect to any cells and batteries. Cell and Battery designs/specification are subject to modification without notice. Contact YHI Power for latest information.